

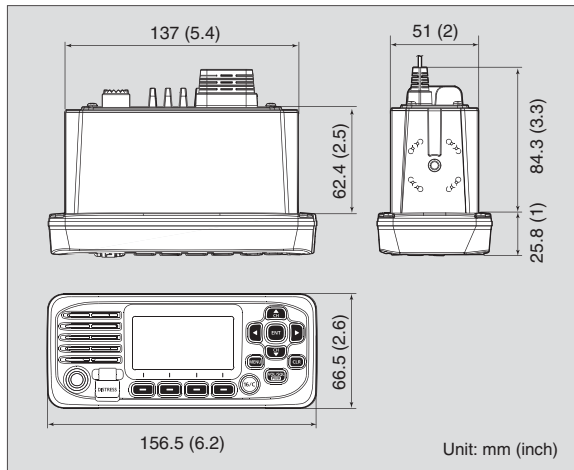
And more

- Common NMEA interface for external GPS/NAV connection
- MA-500TR Class B AIS transponder compatible
- Tag scan and favorite channel functions
- Dual/tri-watch function for monitoring CH16 and/or call channel
- Priority scan function
- Display and keypad backlighting
- External speaker connection
- Weather channel with weather alert

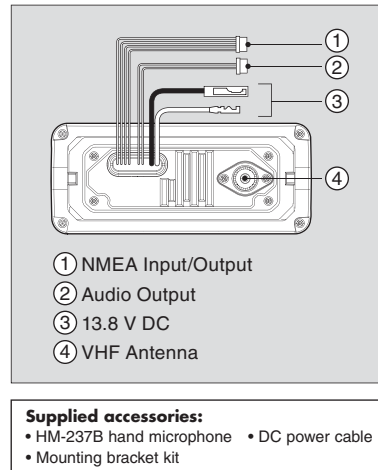
OPTIONS

<p>CLASS B AIS TRANSPONDER</p>  <p>MA-500TR</p>	<p>HORN SPEAKER</p>  <p>SP-37</p>	<p>FLUSH MOUNT KIT</p>  <p>MBF-5</p>	<p>HM-237B HAND MICROPHONE Same as supplied.</p>
--	---	--	---

DIMENSIONS



REAR PANEL VIEW



SPECIFICATIONS

GENERAL		
Frequency range	Tx Rx CH70	156.025–157.425 MHz 156.050–163.275 MHz 156.525 MHz
Usable channels		USA, CAN, INT, WX channels
Type of emission		16K0G3E (FM), 16K0G2B (DSC)
Power supply requirement		13.8 V DC nominal (11.7–15.9 V DC)
Current drain (at 13.8 V DC)	Tx 25 W output Rx AF max.	5 A 1.2 A
Operating temperature range		–20°C to +60°C; –4°F to +140°F
Antenna impedance		50 Ω (SO-239)
Dimensions (W×H×D) (projections not included)		156.5 × 66.5 × 110.1 mm; 6.2 × 2.6 × 4.3 in
Weight (approx.)		700 g; 1.5 lb (with HM-237B)
NMEA formats	Input Output	RMC, GGA, GNS, GLL, VTG DSC, DSE, RMC, GSA, GSV
TRANSMITTER		
Output power (at 13.8 V DC)		25 W, 1 W
Max. frequency deviation		±5 kHz
Frequency tolerance		±5 ppm
Spurious emissions		Less than –60 dBc
RECEIVER		
Sensitivity	Main DSC	–13 dBμ typ. (12 dB SINAD) –5 dBμ emf typ. (1% BER)
Squelch sensitivity		Less than –10 dBμ
Adjacent channel selectivity	Main DSC	More than 68 dB More than 68 dBμ emf (1% BER)
Intermodulation	Main DSC	More than 63 dB More than 55 dBμ emf (1% BER)
Hum and noise		More than 40 dB
Audio output power (at 10% distortion, 4 Ω load)		4.5 W typical

Measurements made in accordance with TIA/EIA-603. All stated specifications are subject to change without notice or obligation.

Applicable IP Rating

Ingress Protection Standard	
Water	IPX7 (Waterproof protection)



Designed, engineered and Made in Japan.

Icom has its own manufacturing facilities in Japan. All Icom products are tested to pass rigorous in-house tests as well as environmental tests at the Wakayama Icom plant before shipping.



The "3D GENUINE Icom label" is attached to the rear panel. Check the Icom website for details: <http://www.icom.co.jp/world/genuine-info/>

Icom, Icom Inc. and Icom logo are registered trademarks of Icom Incorporated (Japan) in Japan, the United States, the United Kingdom, Germany, France, Spain, Russia, Australia, New Zealand and/or other countries. AQUAQUAKE is a trademark of Icom Incorporated. All other trademarks are the properties of their respective holders.

Icom Inc.

1-1-32, Kamiminami, Hirano-Ku, Osaka 547-0003, Japan Phone: +81 (06) 6793 5302 Fax: +81 (06) 6793 0013

www.icom.co.jp/world

Count on us!

Icom America Inc.
www.icomamerica.com

Icom (Europe) GmbH
www.icomeurope.com

Icom (Australia) Pty. Ltd.
www.icom.net.au

Your local distributor/dealer:

Icom Canada
www.icomcanada.com

Icom Spain S.L.
www.icomspain.com

Icom Brazil
E-mail: sales@icombrasil.com

Icom (UK) Ltd.
www.icomuk.co.uk

Icom France s.a.s.
www.icom-france.com